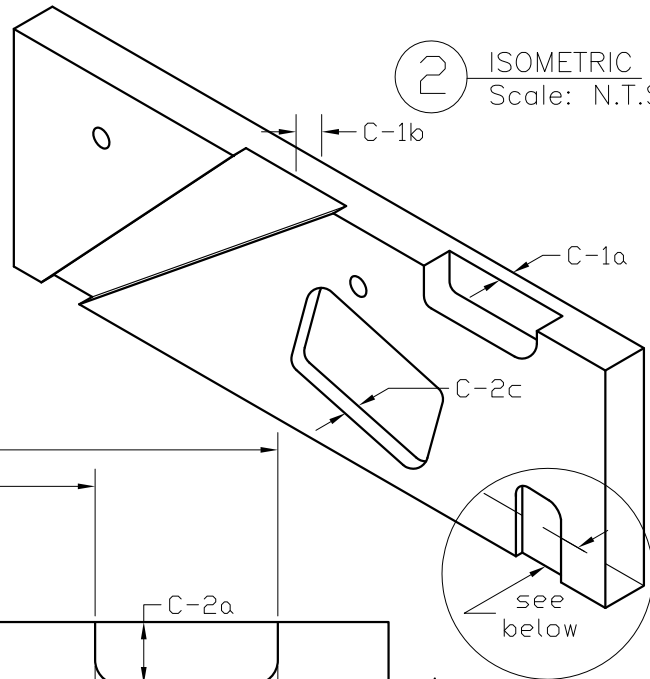
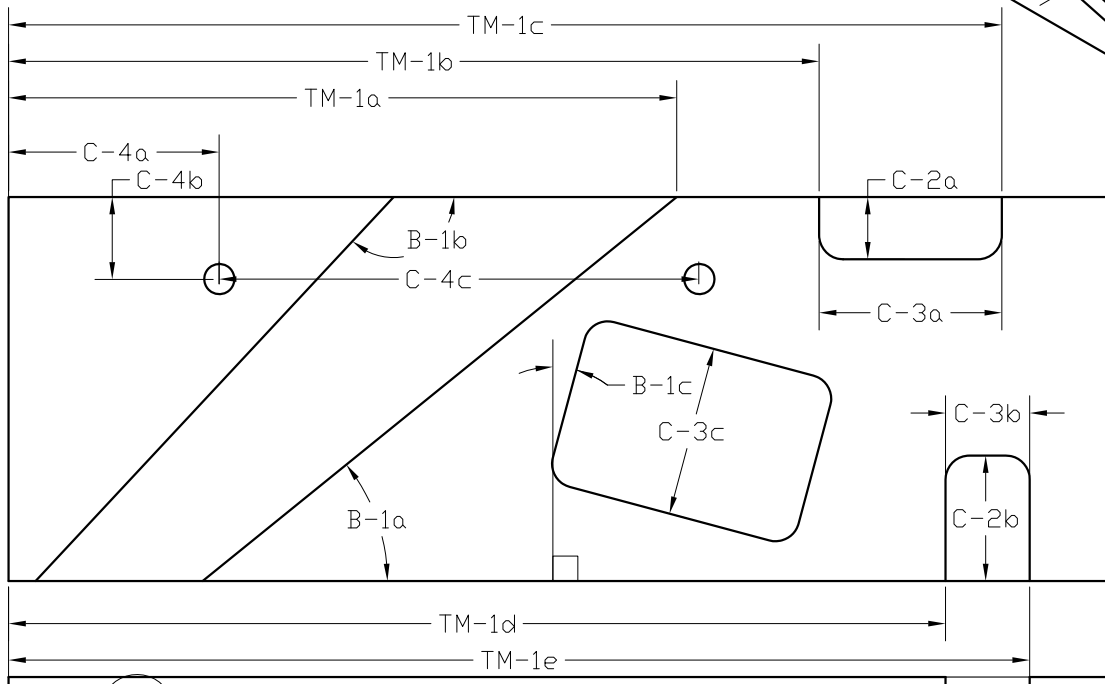


Name:
Date:
Serial # (if inscribed):



2 ISOMETRIC
Scale: N.T.S.



1 FRONT VIEW
Scale: 1:2

Instructions:		
Using a caliper, record your measurements to the nearest .000"		
Calipers: Measure Thickness		
C-1a	_____	
C-1b	_____	
C-1c	_____	
Calipers: Measure Depth		
C-2a	_____	
C-2b	_____	
C-2c	_____	
Calipers: Inside Dimension		
C-3a	_____	
C-3b	_____	
C-3c	_____	
Calipers: Center Distance		
C-4a	_____	
C-4b	_____	
C-4c	_____	
Tape Measure: Measure Lengths (record your measurements to the nearest 1/32")		
TM-1a	_____	
TM-1b	_____	
TM-1c	_____	
TM-1d	_____	
TM-1e	_____	
Bevel: Measure Angles		
B-1a	_____	
B-1b	_____	
B-1c	_____	



DRAWN BY: P.Molzahn
PROJECT: WCA SKILL STANDARDS
DRAWING TITLE: Measurement Widget
DATE: 5-6-15

SHEET:
SCALE: As Noted
REV #: 5

NOTES: Min. Score 80%
TOOLS REQUIRED: Tape Measure,
Pencil, Calipers, Bevel &
Protractor or Combination
Square with Protractor Head.